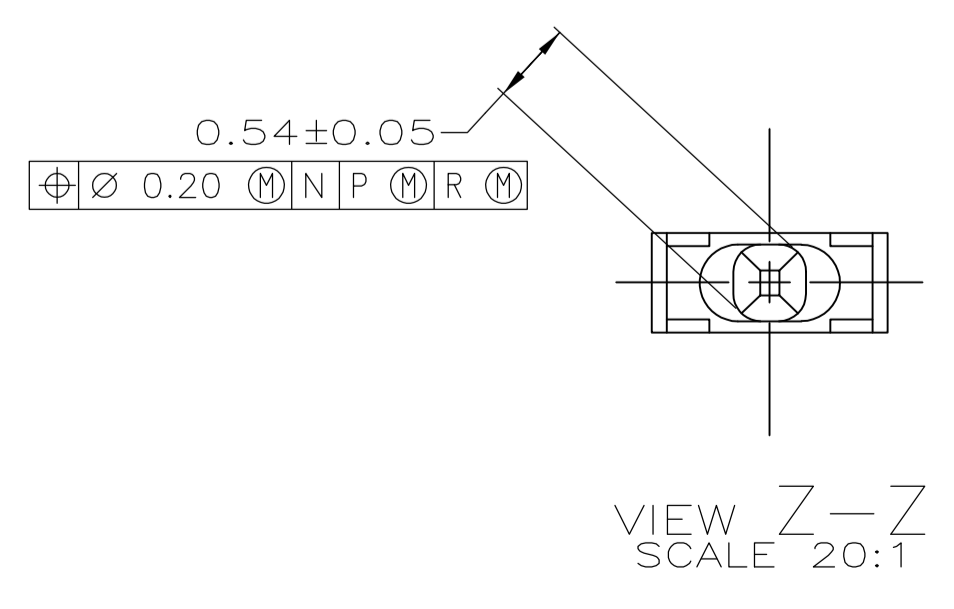
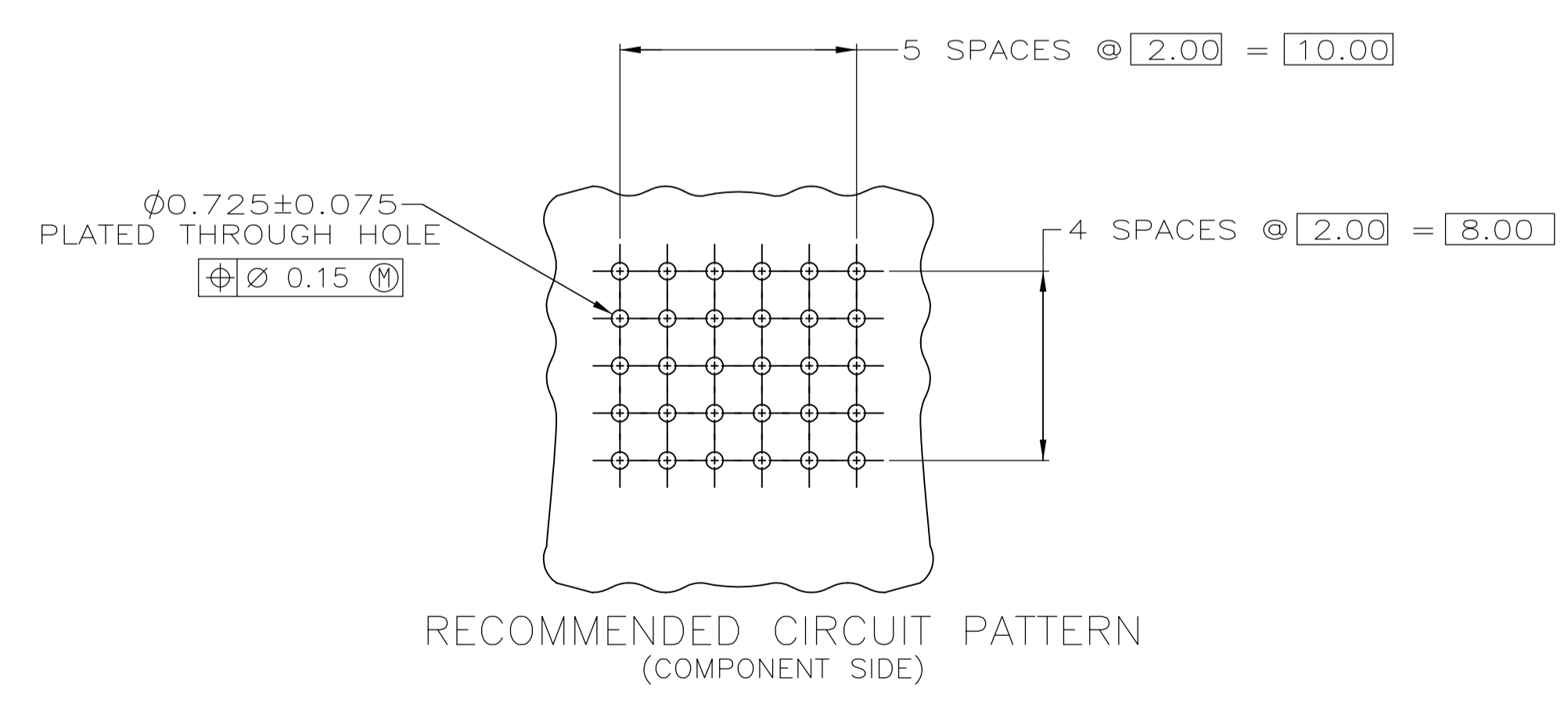
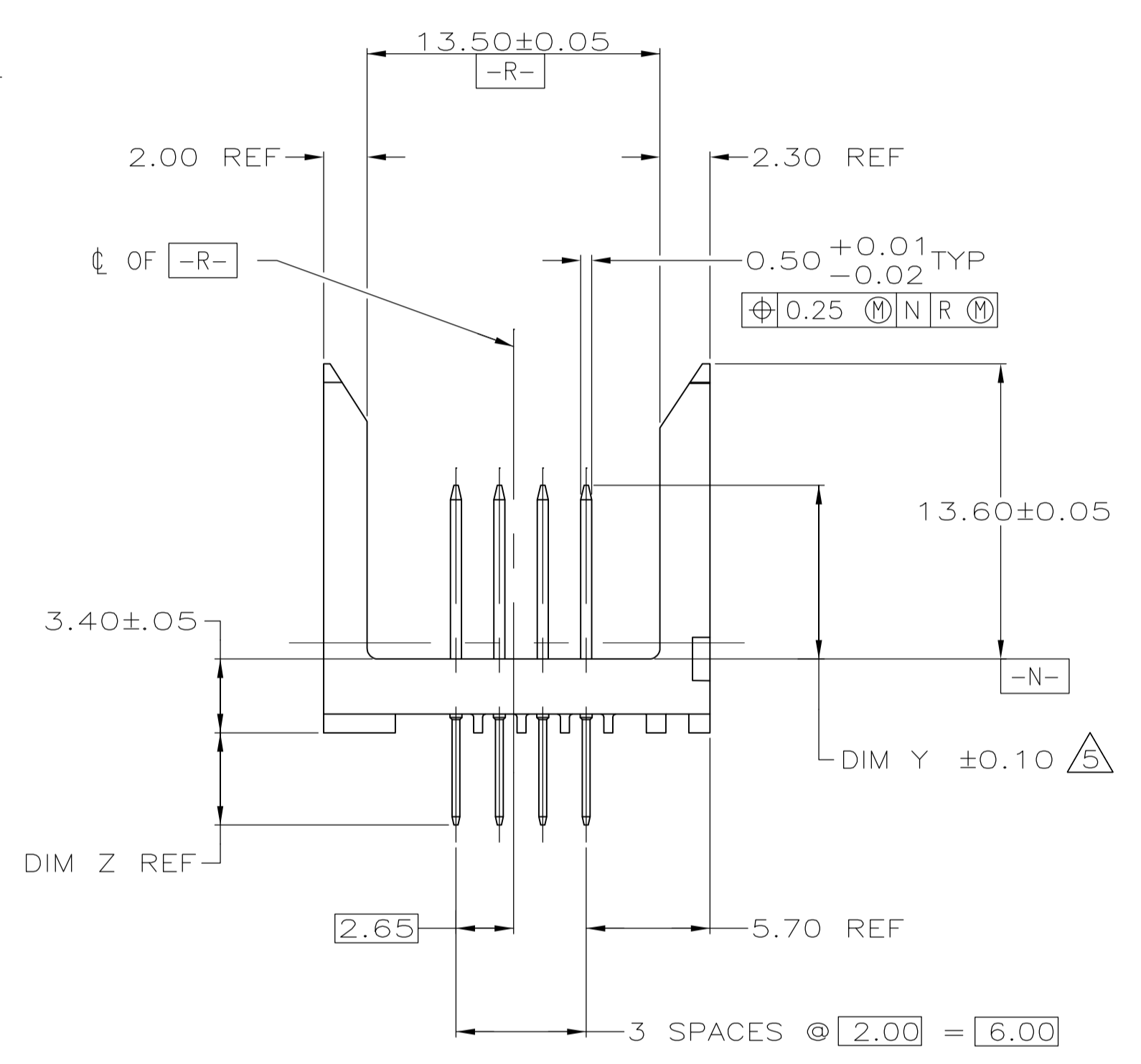


5223080-1 AS SHOWN



- 1 HOUSING MATERIAL: LIQUID CRYSTAL POLYMER.
COLOR: NATURAL.
- 2 CONTACT MATERIAL: PHOSPHOR BRONZE.
- 3 CONTACT FINISH:
UNDERPLATE (ENTIRE CONTACT):
0.00127 MIN NICKEL PER SAE-AMS-QQ-N-290
ON MATING SURFACES:
CONFORMS TO ALL TESTING SPECIFIED FOR TELCORDIA
UNCONTROLLED ENVIRONMENT.
ON LEADS:
0.0006 MIN MATTE TIN PER ASTM B 545 OVER UNDERPLATE.
LUBRICATION (MIN MATING SURFACES):
SURFACE CONDITIONER AFTER PLATING.
- 4 PART MARKING, LOCATED APPROXIMATELY AS SHOWN.
- 5 DIMENSION APPLIES WHEN SEATED ON PRINTED CIRCUIT BOARD.
- 6 SEE RESTRICTED CUSTOMER DRAWING 2-5223080-0
- 7 SEE RESTRICTED CUSTOMER DRAWING 2-5223080-1

| | |
|---|-------------|
| 3 | 7-5223080-0 |
| 3 | 6-5223080-9 |
| 3 | 6-5223080-8 |
| 3 | 6-5223080-7 |
| 3 | 6-5223080-0 |
| 3 | 5-5223080-8 |
| 3 | 5-5223080-7 |
| 3 | 5-5223080-6 |
| 3 | 5-5223080-3 |
| 3 | 4-5223080-8 |
| 3 | 4-5223080-7 |
| 3 | 4-5223080-3 |
| 3 | 4-5223080-2 |
| 3 | 4-5223080-1 |
| 3 | 4-5223080-0 |
| 3 | 3-5223080-9 |
| 3 | 3-5223080-8 |
| 3 | 3-5223080-7 |
| 3 | 3-5223080-4 |
| 3 | 3-5223080-3 |
| 3 | 3-5223080-2 |
| 3 | 2-5223080-8 |
| 3 | 2-5223080-7 |
| 3 | 2-5223080-1 |
| 3 | 2-5223080-0 |
| 3 | 1-5223080-7 |
| 3 | 1-5223080-6 |
| 3 | 1-5223080-5 |
| 3 | 1-5223080-4 |
| 3 | 1-5223080-3 |
| 3 | 1-5223080-2 |
| 3 | 1-5223080-1 |
| 3 | 1-5223080-0 |
| 3 | 5223080-9 |
| 3 | 5223080-8 |
| 3 | 5223080-7 |
| 3 | 5223080-6 |
| 3 | 5223080-5 |
| 3 | 5223080-4 |
| 3 | 5223080-3 |
| 3 | 5223080-2 |
| 3 | 5223080-1 |
| 3 | 5223080-0 |
| 3 | 5223080-9 |
| 3 | 5223080-8 |
| 3 | 5223080-7 |
| 3 | 5223080-6 |
| 3 | 5223080-5 |
| 3 | 5223080-4 |
| 3 | 5223080-3 |
| 3 | 5223080-2 |
| 3 | 5223080-1 |
| 3 | 5223080-0 |
| 3 | 5223080-9 |
| 3 | 5223080-8 |
| 3 | 5223080-7 |
| 3 | 5223080-6 |
| 3 | 5223080-5 |
| 3 | 5223080-4 |
| 3 | 5223080-3 |
| 3 | 5223080-2 |
| 3 | 5223080-1 |
| 3 | 5223080-0 |
| 3 | 5223080-9 |
| 3 | 5223080-8 |
| 3 | 5223080-7 |
| 3 | 5223080-6 |
| 3 | 5223080-5 |
| 3 | 5223080-4 |
| 3 | 5223080-3 |
| 3 | 5223080-2 |
| 3 | 5223080-1 |
| 3 | 5223080-0 |
| 3 | 5223080-9 |
| 3 | 5223080-8 |
| 3 | 5223080-7 |
| 3 | 5223080-6 |
| 3 | 5223080-5 |
| 3 | 5223080-4 |
| 3 | 5223080-3 |
| 3 | 5223080-2 |
| 3 | 5223080-1 |
| 3 | 5223080-0 |
| 3 | 5223080-9 |
| 3 | 5223080-8 |
| 3 | 5223080-7 |
| 3 | 5223080-6 |
| 3 | 5223080-5 |
| 3 | 5223080-4 |
| 3 | 5223080-3 |
| 3 | 5223080-2 |
| 3 | 5223080-1 |
| 3 | 5223080-0 |
| 3 | 5223080-9 |
| 3 | 5223080-8 |
| 3 | 5223080-7 |
| 3 | 5223080-6 |
| 3 | 5223080-5 |
| 3 | 5223080-4 |
| 3 | 5223080-3 |
| 3 | 5223080-2 |
| 3 | 5223080-1 |
| 3 | 5223080-0 |
| 3 | 5223080-9 |
| 3 | 5223080-8 |
| 3 | 5223080-7 |
| 3 | 5223080-6 |
| 3 | 5223080-5 |
| 3 | 5223080-4 |
| 3 | 5223080-3 |
| 3 | 5223080-2 |
| 3 | 5223080-1 |
| 3 | 5223080-0 |
| 3 | 5223080-9 |
| 3 | 5223080-8 |
| 3 | 5223080-7 |
| 3 | 5223080-6 |
| 3 | 5223080-5 |
| 3 | 5223080-4 |
| 3 | 5223080-3 |
| 3 | 5223080-2 |
| 3 | 5223080-1 |
| 3 | 5223080-0 |
| 3 | 5223080-9 |
| 3 | 5223080-8 |
| 3 | 5223080-7 |
| 3 | 5223080-6 |
| 3 | 5223080-5 |
| 3 | 5223080-4 |
| 3 | 5223080-3 |
| 3 | 5223080-2 |
| 3 | 5223080-1 |
| 3 | 5223080-0 |
| 3 | 5223080-9 |
| 3 | 5223080-8 |
| 3 | 5223080-7 |
| 3 | 5223080-6 |
| 3 | 5223080-5 |
| 3 | 5223080-4 |
| 3 | 5223080-3 |
| 3 | 5223080-2 |
| 3 | 5223080-1 |
| 3 | 5223080-0 |
| 3 | 5223080-9 |
| 3 | 5223080-8 |
| 3 | 5223080-7 |
| 3 | 5223080-6 |
| 3 | 5223080-5 |
| 3 | 5223080-4 |
| 3 | 5223080-3 |
| 3 | 5223080-2 |
| 3 | 5223080-1 |
| 3 | 5223080-0 |
| 3 | 5223080-9 |
| 3 | 5223080-8 |
| 3 | 5223080-7 |
| 3 | 5223080-6 |
| 3 | 5223080-5 |
| 3 | 5223080-4 |
| 3 | 5223080-3 |
| 3 | 5223080-2 |
| 3 | 5223080-1 |
| 3 | 5223080-0 |
| 3 | 5223080-9 |
| 3 | 5223080-8 |
| 3 | 5223080-7 |
| 3 | 5223080-6 |
| 3 | 5223080-5 |
| 3 | 5223080-4 |
| 3 | 5223080-3 |
| 3 | 5223080-2 |
| 3 | 5223080-1 |
| 3 | 5223080-0 |
| 3 | 5223080-9 |
| 3 | 5223080-8 |
| 3 | 5223080-7 |
| 3 | 5223080-6 |
| 3 | 5223080-5 |
| 3 | 5223080-4 |
| 3 | 5223080-3 |
| 3 | 5223080-2 |
| 3 | 5223080-1 |
| 3 | 5223080-0 |
| 3 | 5223080-9 |
| 3 | 5223080-8 |
| 3 | 5223080-7 |
| 3 | 5223080-6 |
| 3 | 5223080-5 |
| 3 | 5223080-4 |
| 3 | 5223080-3 |
| 3 | 5223080-2 |
| 3 | 5223080-1 |
| 3 | 5223080-0 |
| 3 | 5223080-9 |
| 3 | 5223080-8 |
| 3 | 5223080-7 |
| 3 | 5223080-6 |
| 3 | 5223080-5 |
| 3 | 5223080-4 |
| 3 | 5223080-3 |
| 3 | 5223080-2 |
| 3 | 5223080-1 |
| 3 | 5223080-0 |
| 3 | 5223080-9 |
| 3 | 5223080-8 |
| 3 | 5223080-7 |
| 3 | 5223080-6 |
| 3 | 5223080-5 |
| 3 | 5223080-4 |
| 3 | 5223080-3 |
| 3 | 5223080-2 |
| 3 | 5223080-1 |
| 3 | 5223080-0 |
| 3 | 5223080-9 |
| 3 | 5223080-8 |
| 3 | 5223080-7 |
| 3 | 5223080-6 |
| 3 | 5223080-5 |
| 3 | 5223080-4 |
| 3 | 5223080-3 |
| 3 | 5223080-2 |
| 3 | 5223080-1 |
| 3 | 5223080-0 |
| 3 | 5223080-9 |
| 3 | 5223080-8 |
| 3 | 5223080-7 |
| 3 | 5223080-6 |
| 3 | 5223080-5 |
| 3 | 5223080-4 |
| 3 | 5223080-3 |
| 3 | 5223080-2 |
| 3 | 5223080-1 |
| 3 | 5223080-0 |
| 3 | 5223080-9 |
| 3 | 5223080-8 |
| 3 | 5223080-7 |
| 3 | 5223080-6 |
| 3 | 5223080-5 |
| 3 | 5223080-4 |
| 3 | 5223080-3 |
| 3 | 5223080-2 |
| 3 | 5223080-1 |
| 3 | 5223080-0 |
| 3 | 5223080-9 |
| 3 | 5223080-8 |
| 3 | 5223080-7 |
| 3 | 5223080-6 |
| 3 | 5223080-5 |
| 3 | 5223080-4 |
| 3 | 5223080-3 |
| 3 | 5223080-2 |
| 3 | 5223080-1 |
| 3 | 5223080-0 |
| 3 | 5223080-9 |
| 3 | 5223080-8 |
| 3 | 5223080-7 |
| 3 | 5223080-6 |
| 3 | 5223080-5 |
| 3 | 5223080-4 |
| 3 | 5223080-3 |
| 3 | 5223080-2 |
| 3 | 5223080-1 |
| 3 | 5223080-0 |
| 3 | 5223080-9 |
| 3 | 5223080-8 |
| 3 | 5223080-7 |
| 3 | 5223080-6 |
| 3 | 5223080-5 |
| 3 | 5223080-4 |
| 3 | 5223080-3 |
| 3 | 5223080-2 |
| 3 | 5223080-1 |
| 3 | 5223080-0 |
| 3 | 5223080-9 |
| 3 | 5223080-8 |
| 3 | 5223080-7 |
| 3 | 5223080-6 |
| 3 | 5223080-5 |
| 3 | 5223080-4 |
| 3 | 5223080-3 |
| 3 | 5223080-2 |
| 3 | 5223080-1 |
| 3 | 5223080-0 |
| 3 | 5223080-9 |
| 3 | 5223080-8 |
| 3 | 5223080-7 |
| 3 | 5223080-6 |
| 3 | 5223080-5 |
| 3 | 5223080-4 |
| 3 | 5223080-3 |
| 3 | 5223080-2 |
| 3 | 5223080-1 |
| 3 | 5223080-0 |
| 3 | 5223080-9 |
| 3 | 5223080-8 |
| 3 | 5223080-7 |
| 3 | 5223080-6 |
| 3 | 5223080-5 |
| 3 | 5223080-4 |
| 3 | 5223080-3 |
| 3 | 5223080-2 |
| 3 | 5223080-1 |
| 3 | 5223080-0 |
| 3 | 5223080-9 |
| 3 | 5223080-8 |
| 3 | 5223080-7 |
| 3 | 5223080-6 |
| 3 | 5223080-5 |
| 3 | 5223080-4 |
| 3 | 5223080-3 |
| 3 | 5223080-2 |
| 3 | 5223080-1 |
| 3 | 5223080-0 |
| 3 | 5223080-9 |
| 3 | 5223080-8 |
| 3 | 5223080-7 |
| 3 | 5223080-6 |
| 3 | 5223080-5 |
| 3 | 5223080-4 |
| 3 | 5223080-3 |
| 3 | 5223080-2 |
| 3 | 5223080-1 |
| 3 | 5223080-0 |
| 3 | 5223080-9 |
| 3 | 5223080-8 |
| 3 | 5223080-7 |
| 3 | 5223080-6 |
| 3 | 5223080-5 |
| 3 | 5223080-4 |
| 3 | 5223080-3 |
| 3 | 5223080-2 |
| 3 | 5223080-1 |
| 3 | 5223080-0 |
| 3 | 5223080-9 |
| 3 | 5223080-8 |
| 3 | 5223080-7 |
| 3 | 5223080-6 |
| 3 | 5223080-5 |
| 3 | 5223080-4 |
| 3 | 5223080-3 |
| 3 | 5223080-2 |
| 3 | 5223080-1 |
| 3 | 5223080-0 |
| 3 | 5223080-9 |
| 3 | 5223080-8 |
| 3 | 5223080-7 |
| 3 | 5223080-6 |
| 3 | 5223080-5 |
| 3 | 5223080-4 |
| 3 | 5223080-3 |
| 3 | 5223080-2 |
| 3 | 5223080-1 |
| 3 | 5223080-0 |
| 3 | 5223080-9 |
| 3 | 5223080-8 |
| 3 | 5223080-7 |
| 3 | 5223080-6 |
| 3 | 5223080-5 |
| 3 | 5223080-4 |
| 3 | 5223080-3 |
| 3 | 5223080-2 |
| 3 | 5223080-1 |
| 3 | 5223080-0 |
| 3 | 5223080-9 |
| 3 | 5223080-8 |
| 3 | 5223080-7 |
| 3 | 5223080-6 |
| 3 | 5223080-5 |
| 3 | 5223080-4 |
| 3 | 5223080-3 |
| 3 | 5223080-2 |
| 3 | 5223080-1 |
| 3 | 5223080-0 |
| 3 | 5223080-9 |
| 3 | 5223080-8 |
| 3 | 5223080-7 |
| 3 | 5223080-6 |
| 3 | 5223080-5 |
| 3 | 5223080-4 |
| 3 | 5223080-3 |
| 3 | 5223080-2 |
| 3 | 5223080-1 |
| 3 | 5223080-0 |
| 3 | 5223080-9 |
| 3 | 5223080-8 |
| 3 | 5223080-7 |
| 3 | 5223080-6 |
| 3 | 5223080-5 |
| 3 | 5223080-4 |
| 3 | 5223080-3 |
| 3 | 5223080-2 |
| 3 | 5223080-1 |
| 3 | 5223080-0 |
| 3 | 5223080-9 |
| 3 | 5223080-8 |
| 3 | 5223080-7 |
| 3 | 5223080-6 |
| 3 | 5223080-5 |
| 3 | 5223080-4 |
| 3 | 5223080-3 |
| 3 | 5223080-2 |
| 3 | 5223080-1 |
| 3 | 5223080-0 |
| 3 | 5223080-9 |
| 3 | 5223080-8 |
| 3 | 5223080-7 |
| 3 | 5223080-6 |
| 3 | 5223080-5 |
| 3 | 5223080-4 |
| 3 | 5223080-3 |
| 3 | 5223080-2 |
| 3 | 5223080-1 |
| 3 | 5223080-0 |
| 3 | 5223080-9 |
| 3 | 5223080-8 |
| 3 | 5223080-7 |
| 3 | 5223080-6 |
| 3 | 5223080-5 |
| 3 | 5223080-4 |
| 3 | 5223080-3 |
| 3 | 5223080- |

| | | |
|----------------|------------|------------|
| - | NO CONTACT | NO CONTACT |
| GG | 5.00 | 13.60 |
| DA | 5.00 | 16.30 |
| DB | 7.25 | 16.30 |
| WW | 5.75 | 14.90 |
| A | 5.00 | 4.25 |
| PP | 8.25 | 17.00 |
| S | 7.25 | 17.00 |
| M | 6.50 | 17.00 |
| MM | 8.25 | 4.25 |
| J | 6.50 | 4.25 |
| VV | 8.00 | 14.90 |
| Y | 7.25 | 13.60 |
| X | 6.50 | 13.60 |
| E | 5.75 | 4.25 |
| T | 8.00 | 4.25 |
| N | 7.25 | 4.25 |
| UU | 5.75 | 13.60 |
| SS | 8.00 | 13.60 |
| CONTACT LETTER | DIM Y | DIM Z |

| | | | | | | | |
|-----|---|---|---|---|---|---|-----|
| D | - | E | - | E | - | E | E |
| D | - | - | - | - | - | - | D |
| C | - | E | - | E | - | E | C |
| B | - | - | - | - | - | - | B |
| A | - | E | - | E | - | E | A |
| ROW | 1 | 2 | 3 | 4 | 5 | 6 | ROW |

5223080-5 CONTACT LOAD CHART

| | | | | | | | |
|-----|---------------|---|---|---|---|---|-----|
| E | SUPERSEDED BY | | | | | | E |
| D | BY | | | | | | D |
| C | BY | | | | | | C |
| B | 1-5223080-6 | | | | | | B |
| A | | | | | | | A |
| ROW | 1 | 2 | 3 | 4 | 5 | 6 | ROW |

1-5223080-1 CONTACT LOAD CHART

| | | | | | | | |
|-----|---|---|---|---|---|---|-----|
| E | E | - | E | - | E | E | E |
| D | - | E | - | E | E | E | D |
| C | E | - | E | - | E | E | C |
| B | - | E | - | E | E | E | B |
| A | E | - | E | - | E | E | A |
| ROW | 1 | 2 | 3 | 4 | 5 | 6 | ROW |

1-5223080-7 CONTACT LOAD CHART

| | | | | | | | |
|-----|---|---|---|---|---|---|-----|
| E | T | E | N | N | E | T | E |
| D | T | E | N | N | E | T | D |
| C | T | E | N | N | E | T | C |
| B | T | E | N | N | E | T | B |
| A | T | E | N | N | E | T | A |
| ROW | 1 | 2 | 3 | 4 | 5 | 6 | ROW |

3-5223080-7 LOAD CHART OBSOLETE

| | | | | | | | |
|-----|---|---|---|---|---|---|-----|
| E | J | J | J | J | E | J | E |
| D | J | J | J | J | J | J | D |
| C | J | J | J | J | J | J | C |
| B | J | J | J | J | J | J | B |
| A | J | J | J | J | J | J | A |
| ROW | 1 | 2 | 3 | 4 | 5 | 6 | ROW |

4-5223080-7 CONTACT LOAD CHART

| | | | | | | | |
|-----|---|---|---|---|---|---|-----|
| E | N | N | N | N | N | N | E |
| D | J | J | J | J | J | J | D |
| C | N | N | N | N | N | N | C |
| B | N | N | N | N | N | N | B |
| A | N | N | N | N | N | N | A |
| ROW | 1 | 2 | 3 | 4 | 5 | 6 | ROW |

6-5223080-0 CONTACT LOAD CHART

| | | | | | | | |
|-----|---|---|---|---|---|---|-----|
| E | - | - | - | - | - | - | E |
| D | N | N | N | N | N | N | D |
| C | N | N | N | N | N | N | C |
| B | T | T | T | T | T | T | B |
| A | T | T | T | T | T | T | A |
| ROW | 1 | 2 | 3 | 4 | 5 | 6 | ROW |

5223080-1 CONTACT LOAD CHART

| | | | | | | | |
|-----|---|---|---|---|---|---|-----|
| E | X | X | W | X | W | X | E |
| D | X | X | W | W | X | Y | D |
| C | X | X | W | X | W | X | C |
| B | X | X | W | W | X | Y | B |
| A | X | X | W | X | W | W | A |
| ROW | 1 | 2 | 3 | 4 | 5 | 6 | ROW |

5223080-6 CONTACT LOAD CHART

| | | | | | | | |
|-----|---------------|---|---|---|---|---|-----|
| E | SUPERSEDED BY | | | | | | E |
| D | BY | | | | | | D |
| C | BY | | | | | | C |
| B | 1-5223080-7 | | | | | | B |
| A | | | | | | | A |
| ROW | 1 | 2 | 3 | 4 | 5 | 6 | ROW |

1-5223080-2 CONTACT LOAD CHART

| | | | | | | | |
|-----|---|---|---|---|---|---|-----|
| E | N | E | E | E | E | E | E |
| D | N | E | E | E | A | E | D |
| C | N | E | E | E | E | E | C |
| B | N | E | E | E | E | E | B |
| A | N | E | E | E | E | E | A |
| ROW | 1 | 2 | 3 | 4 | 5 | 6 | ROW |

2-5223080-7 CONTACT LOAD CHART

| | | | | | | | |
|-----|---|---|---|---|---|---|-----|
| E | E | E | E | E | E | T | E |
| D | E | E | E | E | E | T | D |
| C | E | E | E | E | E | T | C |
| B | E | E | E | E | E | T | B |
| A | E | E | E | E | E | T | A |
| ROW | 1 | 2 | 3 | 4 | 5 | 6 | ROW |

3-5223080-8 LOAD CHART OBSOLETE

| | | | | | | | |
|-----|---|---|---|---|---|---|-----|
| E | A | E | E | E | E | E | E |
| D | E | E | E | E | E | E | D |
| C | E | E | E | E | E | E | C |
| B | E | E | E | E | E | E | B |
| A | E | E | E | E | E | E | A |
| ROW | 1 | 2 | 3 | 4 | 5 | 6 | ROW |

4-5223080-8 CONTACT LOAD CHART

| | | | | | | | |
|-----|----|----|----|----|----|----|-----|
| E | GG | GG | GG | GG | GG | GG | E |
| D | GG | GG | GG | GG | GG | GG | D |
| C | GG | GG | GG | GG | GG | GG | C |
| B | GG | GG | GG | GG | GG | GG | B |
| A | GG | GG | GG | GG | GG | GG | A |
| ROW | 1 | 2 | 3 | 4 | 5 | 6 | ROW |

6-5223080-7 CONTACT LOAD CHART

| | | | | | | | |
|-----|---|---|---|---|---|---|-----|
| E | X | - | X | - | X | X | E |
| D | - | X | - | X | X | X | D |
| C | X | - | X | - | X | X | C |
| B | - | X | - | X | X | X | B |
| A | X | - | X | - | X | X | A |
| ROW | 1 | 2 | 3 | 4 | 5 | 6 | ROW |

5223080-7 CONTACT LOAD CHART

| | | | | | | | |
|-----|---|---|---|---|---|---|-----|
| E | J | A | A | A | A | A | E |
| D | J | A | A | A | A | A | D |
| C | J | A | A | A | A | A | C |
| B | J | A | A | A | A | A | B |
| A | J | A | A | A | A | A | A |
| ROW | 1 | 2 | 3 | 4 | 5 | 6 | ROW |

1-5223080-3 LOAD CHART OBSOLETE

| | | | | | | | |
|-----|---|---|---|---|---|---|-----|
| E | E | E | N | E | N | E | E |
| D | E | E | N | E | N | E | D |
| C | E | E | N | E | N | E | C |
| B | E | E | N | E | N | E | B |
| A | E | E | N | E | N | E | A |
| ROW | 1 | 2 | 3 | 4 | 5 | 6 | ROW |

2-5223080-8 CONTACT LOAD CHART

| | | | | | | | |
|-----|----|----|---|---|----|----|-----|
| E | SS | UU | Y | Y | UU | SS | E |
| D | SS | UU | Y | Y | UU | SS | D |
| C | SS | UU | Y | Y | UU | SS | C |
| B | SS | UU | Y | Y | UU | SS | B |
| A | SS | UU | Y | Y | UU | SS | A |
| ROW | 1 | 2 | 3 | 4 | 5 | 6 | ROW |

4-5223080-0 LOAD CHART OBSOLETE

| | | | | | | | |
|-----|---|---|---|---|---|---|-----|
| E | E | E | E | E | N | N | E |
| D | E | E | E | E | N | N | D |
| C | E | E | E | E | E | E | C |
| B | E | E | E | E | T | T | B |
| A | E | E | E | E | T | T | A |
| ROW | 1 | 2 | 3 | 4 | 5 | 6 | ROW |

5-5223080-3 CONTACT LOAD CHART

| | | | | | | | |
|-----|---|---|---|---|---|---|-----|
| E | E | E | J | E | E | E | E |
| D | E | E | J | E | E | E | D |
| C | E | E | E | E | E | E | C |
| B | E | E | J | E | E | E | B |
| A | E | E | J | E | E | E | A |
| ROW | 1 | 2 | 3 | 4 | 5 | 6 | ROW |

6-5223080-8 CONTACT LOAD CHART

| | | | | | | | |
|-----|----|----|----|----|----|----|-----|
| E | MM | MM | MM | MM | MM | MM | E |
| D | N | N | N | N | N | N | D |
| C | J | J | J | J | J | J | C |
| B | N | N | N | N | N | N | B |
| A | MM | MM | MM | MM | MM | MM | A |
| ROW | 1 | 2 | 3 | 4 | 5 | 6 | ROW |

5223080-8 CONTACT LOAD CHART

| | | | | | | | |
|-----|---|---|---|---|---|---|-----|
| E | A | A | A | A | A | A | E |
| D | A | A | A | A | A | A | D |
| C | E | A | A | A | A | A | C |
| B | A | A | A | A | A | A | B |
| A | A | A | A | A | A | A | A |
| ROW | 1 | 2 | 3 | 4 | 5 | 6 | ROW |

1-5223080-4 CONTACT LOAD CHART

| | | | | | | | |
|-----|---|---|---|---|---|---|-----|
| E | E | E | E | A | E | E | E |
| D | E | E | E | A | E | E | D |
| C | E | E | E | A | E | E | C |
| B | E | E | E | A | E | E | B |
| A | A | E | E | A | E | E | A |
| ROW | 1 | 2 | 3 | 4 | 5 | 6 | ROW |

3-5223080-2 LOAD CHART OBSOLETE

| | | | | | | | |
|-----|---|---|---|---|---|---|-----|
| E | E | E | E | E | E | E | E |
| D | E | E | E | E | E | E | D |
| C | E | E | E | E | E | N | C |
| B | E | E | E | E | E | E | B |
| A | E | E | E | E | E | E | A |
| ROW | 1 | 2 | 3 | 4 | 5 | 6 | ROW |

4-5223080-1 CONTACT LOAD CHART

| | | | | | | | |
|-----|---------------|---|---|---|---|---|-----|
| E | SUPERCEDED BY | | | | | | E |
| D | BY | | | | | | D |
| C | BY | | | | | | C |
| B | 5-1705988-6 | | | | | | B |
| A | | | | | | | A |
| ROW | 1 | 2 | 3 | 4 | 5 | 6 | ROW |

5-5223080-6 CONTACT LOAD CHART

| | | | | | | | |
|-----|---|---|---|---|---|---|-----|
| E | E | E | E | E | E | E | E |
| D | E | E | E | E | E | E | D |
| C | T | E | E | E | E | E | C |
| B | E | E | E | E | E | E | B |
| A | E | E | E | E | E | E | A |
| ROW | 1 | 2 | 3 | 4 | 5 | 6 | ROW |

6-5223080-9 CONTACT LOAD CHART

| | | | | | | | |
|-----|---|---|---|---|---|---|-----|
| E | - | E | - | E | - | E | E |
| D | E | - | E | - | E | - | D |
| C | - | E | - | E | - | E | C |
| B | E | - | E | - | E | - | B |
| A | - | E | - | E | - | E | A |
| ROW | 1 | 2 | 3 | 4 | 5 | 6 | ROW |

5223080-2 CONTACT LOAD CHART

| | | | | | | | |
|-----|----|----|----|----|----|----|-----|
| E | PP | PP | PP | PP | PP | PP | E |
| D | S | S | S | S | S | S | D |
| C | M | M | M | M | M | M | C |
| B | S | S | S | S | S | S | B |
| A | PP | PP | PP | PP | PP | PP | A |
| ROW | 1 | 2 | 3 | 4 | 5 | 6 | ROW |

5223080-9 CONTACT LOAD CHART

| | | | | | | | |
|-----|---|---|---|---|---|---|-----|
| E | E | E | E | E | E | E | E |
| D | N | N | N | N | N | N | D |
| C | N | N | N | N | N | N | C |
| B | J | J | J | J | J | J | B |
| A | N | N | N | N | N | N | A |
| ROW | 1 | 2 | 3 | 4 | 5 | 6 | ROW |

1-5223080-5 CONTACT LOAD CHART

| | | | | | | | |
|-----|---|---|---|---|---|---|-----|
| E | E | E | E | E | A | A | E |
| D | E | E | E | E | A | A | D |
| C | A | E | E | E | A | A | C |
| B | E | E | E | E | A | A | B |
| A | A | E | A | E | A | A | A |
| ROW | 1 | 2 | 3 | 4 | 5 | 6 | ROW |

3-5223080-3 LOAD CHART OBSOLETE

| | | | | | | | |
|-----|---|---|---|---|---|---|-----|
| E | E | E | E | E | N | E | E |
| D | E | E | E | E | N | D | D |
| C | E | E | E | E | N | C | C |
| B | E | E | E | E | N | B | B |
| A | E | E | E | E | N | A | A |
| ROW | 1 | 2 | 3 | 4 | 5 | 6 | ROW |

4-5223080-2 CONTACT LOAD CHART

| | | | | | | | |
|-----|---------------|---|---|---|---|---|-----|
| E | SUPERCEDED BY | | | | | | E |
| D | BY | | | | | | D |
| C | BY | | | | | | C |
| B | 5-1705988-7 | | | | | | B |
| A | | | | | | | A |
| ROW | 1 | 2 | 3 | 4 | 5 | 6 | ROW |

5-5223080-7 CONTACT LOAD CHART

| | | | | | | | |
|-----|----|----|----|----|----|----|-----|
| E | SS | SS | SS | SS | SS | SS | E |
| D | SS | SS | SS | SS | SS | SS | D |
| C | UU | UU | UU | UU | UU | UU | C |
| B | SS | SS | SS | SS | SS | SS | B |
| A | SS | SS | SS | SS | SS | SS | A |
| ROW | 1 | 2 | 3 | 4 | 5 | 6 | ROW |

7-5223080-0 CONTACT LOAD CHART

| | | | | | | | |
|-----|---|---|---|---|---|---|-----|
| E | - | - | - | - | - | - | E |
| D | E | - | E | - | E | - | D |
| C | - | E | - | E | - | E | C |
| B | E | - | E | - | E | - | B |
| A | - | E | - | E | - | E | A |
| ROW | 1 | 2 | 3 | 4 | 5 | 6 | ROW |

5223080-3 CONTACT LOAD CHART

| | | | | | | | |
|-----|----|----|----|----|----|----|-----|
| E | N | N | N | N | N | N | E |
| D | MM | N | N | N | N | N | D |
| C | MM | N | N | N | N | N | C |
| B | N | N | N | N | N | N | B |
| A | MM | MM | MM | MM | MM | MM | A |
| ROW | 1 | 2 | 3 | 4 | 5 | 6 | ROW |

1-5223080-0 CONTACT LOAD CHART

| | | | | | | | |
|-----|---|---|---|---|---|---|-----|
| E | E | E | N | E | N | E | E |
| D | E | E | N | E | N | E | D |
| C | E | E | N | E | N | E | C |
| B | E | E | N | E | N | E | B |
| A | E | E | N | E | N | E | A |
| ROW | 1 | 2 | 3 | 4 | 5 | 6 | ROW |

1-5223080